

Part number

# CAP 06 LS



## Brief description:

surface mounting housings with single lever, size "44.27", metal cover, Pg21, metal version, IP65

### Product description

Version	metal version
Series	surface mounting housings with single lever
Product type	with 1 lever
Variant	metal cover
Style	high construction
Family	CLASS enclosures
Size	size "44.27"

### Technical data

Operating temperature range (min, max)	-40°C ... +125°C
Material	metal
IP degree of protection	IP65
Cable entry	Pg21

### Further technical details

Weight	375,00 g
--------	----------

### Approvals / Standards

Quality mark	 (type:4/4X/12),  , EAC
Conformity	CQC, CE

### General ordering information

EAN13 code	8015747007436
Tariff number	85369095

### Packaging Information

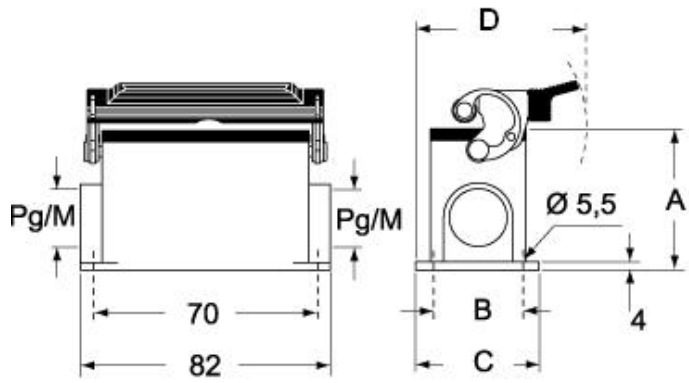
Packaging length	475,00 mm
Packaging height	210,00 mm
Packaging width	140,00 mm
Packaging weight	3,75 kg
Packaging volume	13,97 dm <sup>3</sup>
Packaging description	Carton box
Packaging quantity	10 Pcs
Packaging EAN code	8015747236102
Sub-packaging weight	1,88 kg
Sub-packaging description	Plastic pakaging
Sub-packaging quantity	5 Pcs
Sub-packaging EAN barcode	8015747007443

Part number

# CAP 06 LS

Catalogue drawings

**CHP L CAP L - MHP L MAP L**



**CHP LS CAP LS - MHP LS MAP LS**

